

**CONSTRUCTION DETAILS:****Framework- Top/Bottom Cases:**

Multi Folded Automated Bending technology applied framework and top/bottom cases, provides a heavy duty structure results to high load capacity of: 20 kgs on wall nominal load.

Monoblock multi folded top and bottom cases resulted to a very heavy construction, tightly fixed to the framework with fixing hardware , fully modular system generated.

Top case integrated with a brushed cable entry point with w:145mm x d:70mm size allows proper cabling insertion as well preventing the dust entry.

Bottom case integrated with a PVC Gland plate w:145mmxd:70mm.

In case of cables to be inserted from bottom case, the brushed cable entry and PVC gland plate could be replacing each other.

The full length smoked, shatterproof, antistatic, 4,0mm thickness glass with single point locking barrel lock is standard shipping configuration.

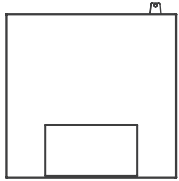
Front door opening direction is set right to left, but reversible to left to right at site with removing the hinge system. Hinge System is channel type with screws.

NETbox SOHO Network Wall cabinets has sticky colour changing thermometer, range 20 to 40 C as an accessory.

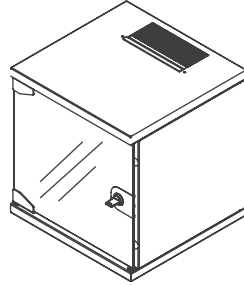
Available / Stocked Color of NETbox SOHO Network Wall cabinets are in RAL 7035 Light Grey, incase of Black RAL 9005 color product needed, coordinate with sales department.



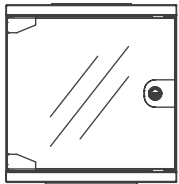
CONSTRUCTION DRAWING



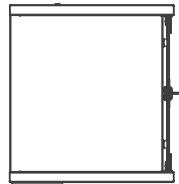
BOTTOM VIEW



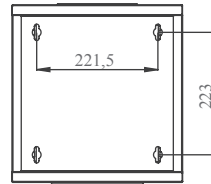
ISOMETRIC VIEW



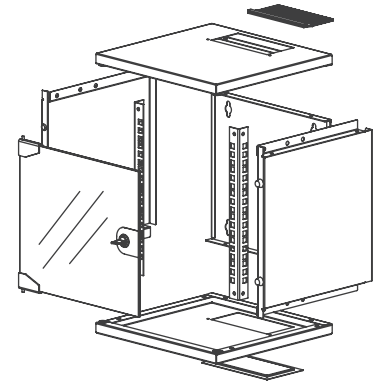
FRONT VIEW



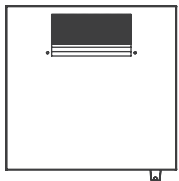
SIDE VIEW



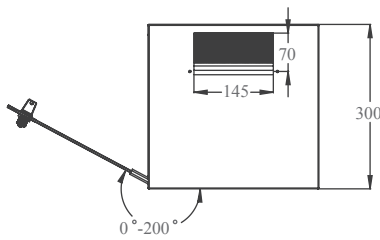
REAR VIEW



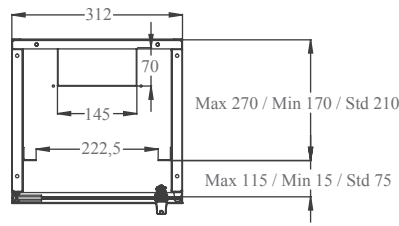
EXPLODED VIEW



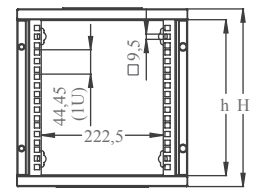
TOP VIEW



FRONT DOOR  
OPENING ANGLE



MAX/STD/MIN  
EQUIPMENT  
MOUNTING DISTANCE



DIMENSIONS IN  
WIDTH AND HEIGHT

NETbox SOHO Series Wall Mounting 10" Cabinets W=312mm D=300mm

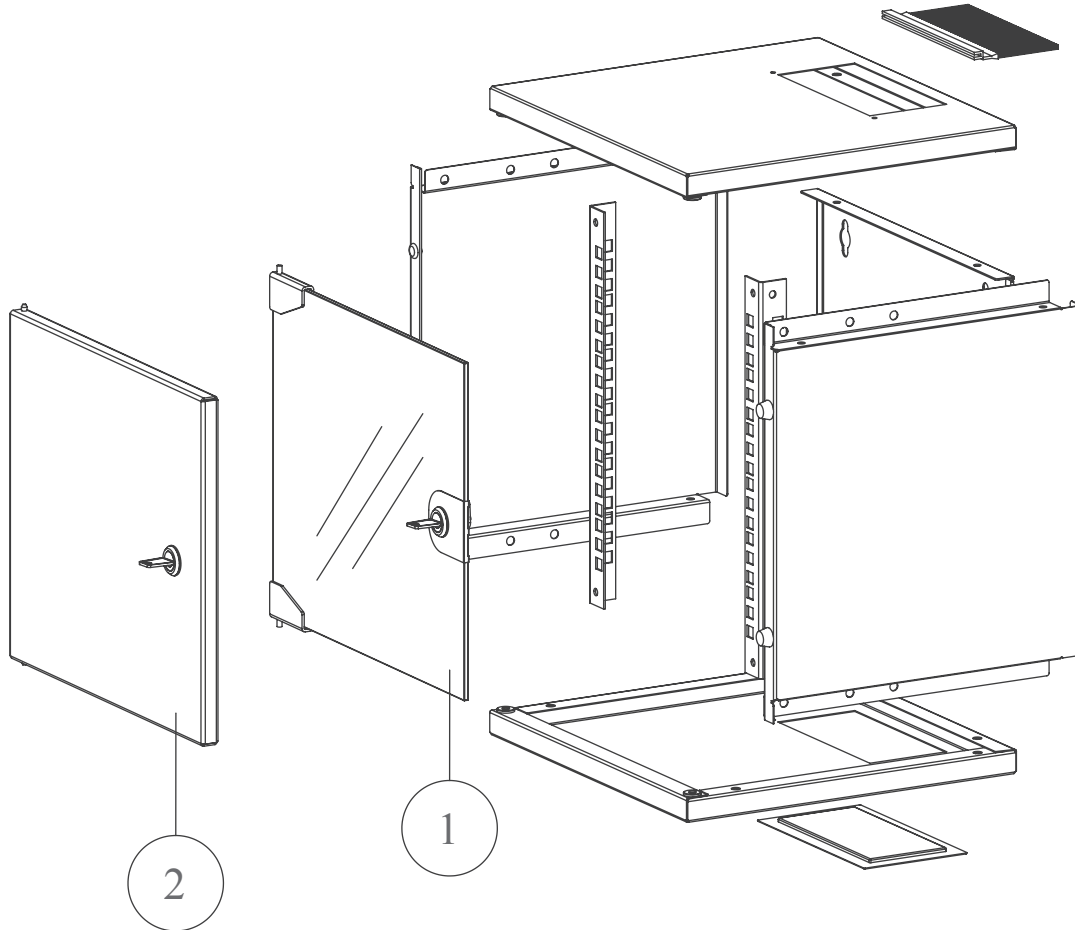
ROOT Product Number **	Product Description	Size W×D×H mm	h size in U	h in mm	H mm, overall	Width Overall mm	Width Rail to Rail	Depth Overall mm	*Depth Shipping Conf. Rail to Rear Panel mm	QTY IN PACKAGE	PACKING DIMENSIONS W×D×H mm	Standard NET Weight of product kgs	Gross Weight of Product kgs	QTY IN PALETTE	PALETTE DIMENSIONS W×D×H mm	Palette Weight kgs
LN-SH06U3030-CC	6U 10" Wall Mounting Cabinet W=300mm D=300mm	312x300x330	6U	267	330	312	10"	300	210	1	355x340x365	5,5	6	60	1100x1360x1950	390
LN-SBT-RMO-1U10-CC	1U 10" Shelf D=150mm	254x150x44	1U	44	-	-	10"	150	-	1	270x165x50	0,37	0,45	-	-	-
LN-KDG-YKD-05FC-CC	1/2U 10" Cable Management Panel brushed, for patchcord entry opening	254x12x22	1/2U	22	-	-	10"	12	-	1	265x20x50	0,07	0,11	-	-	-
LN-PNL-SPP-1U8P-CC	1U patch panel empty for RJ45 keystone jacks	254x12x44	1U	44	-	-	10"	12	-	1	265x20x50	0,27	0,31	-	-	-
LN-PRZ-ONF-1U3P-CC	1U 10" 3 way Power Stripe Module on/off Switched with cable and plug	254x100x44	1U	44	-	-	10"	100	-	1	270x165x50	0,60	0,70	-	-	-
LN-PNL-KPN-1U10-CC	1U 10" Blank Panel	254x12x44	1U	44	-	-	10"	12	-	1	265x20x50	0,09	0,13	-	-	-

\* See min and max Adjustable depth variations on drawings

\*\* CC= LG for Light Grey RAL 7035 & BL for Black RAL 9005 for customers to define while ordering, Standard stock is in RAL 7035 LG color, for Black RAL 9005 BL please coordinate with sales department



DOOR  
OPTIONS



10" NETbox SOHO Network Cabinet W=312mm. D= 300mm.  
FRONT DOOR Options

- 1 Single Opening, Flat Shape, Full Glass Front Door, Single Point Barrel Locking
- 2 Single Opening, Flat Shape, Complete Solid Metal Front Door, Single Point Barrel Locking

10" NETbox SOHO Network Cabinet W=312mm. D= 300mm.  
REAR DOOR Options

- 1 NO Option, Factory Configured Rear Panels are included

10" NETbox SOHO Network Cabinet W=312mm. D= 300mm.  
SIDE PANEL Options

- 1 NO Option, Factory Configured Side Panels are included

LN-AA

XXU

WW

DD

CC

000

LN Corporate codification beginning letters mentioning Lande in Short Format as LN

AA Family Group of Enclosure; FS for Free Standing cabinets, WM for Wall Mounting Cabinets, SH for Small office Home office Range, SR for Server enclosure Range, SL for Slim series, RS for Home series wall cabinets

XX Numeric Character defining the height of enclosures, depending on model differences between 12 to 45 to be selected from price list, website or catalogue

U U Height Alfanumeric Notation, concrete ( non editable- fixed character)

WW The First 2 digits of the width info, 60 for W=600mm, 80 for W=800mm, 54 for W=540mm, 30 for W=300mm Soho 10" enclosure

DD The First 2 digits of the depth info, 45 for D=450mm, 40 for D=400mm, 60 for D=600mm, 80 for D=800mm, 10 for D=1000mm cabinets

CC Color Code, LG for Light Grey RAL 7035, BL for Black RAL 9005

0 Front Door Variation number, numeric character 1 to 9 / 0 means no front door, standard front door defined in Lande System as option 1., Please select other variations if needed from above door selection drawing. Unless defined option 1 should be delivered

0 Rear Door Variation number, numeric character 1 to 9 / 0 means no rear door, standard rear door defined in Lande System as option 1., Please select other variations if needed from above door selection drawing. Unless defined option 1 should be delivered

0 Side Panel/Door Variation number, numeric character 1 to 9 / 0 means no side panel on product, standard side panel/door defined in Lande System as option 1. Unless defined option 1 should be delivered

